



512 N LINCOLN ST. - SUITE 205 BAY CITY, MI 48708  
 TEL 989-894-2785 866-894-2785 FAX 989-894-2805

Structure: ST2

Job Number:

Job Name: English Storm

Job Location:

# Demo Version

Specification: 48" Storm

Contractor:

Channel:

Based on:

Notes:

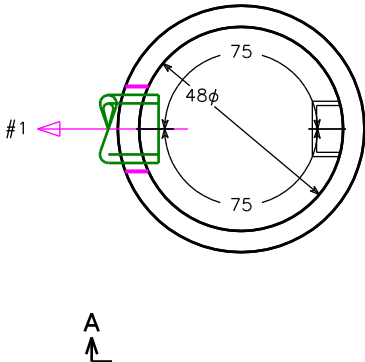
Manufacture Date:

Ship Date:

Opening Schedule

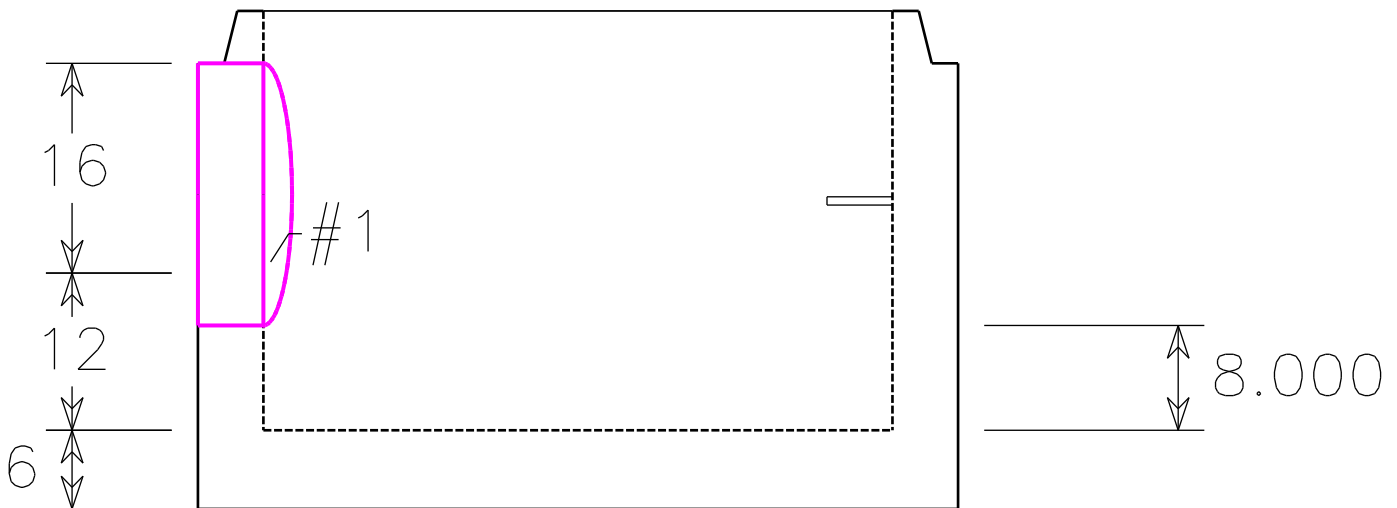
ID	Bottom	Pipe Size	Hole Size	Connector	Angle	Dist.
#1	8.000"	12" RCP B CL-2	20"	Mortar	0°	0.000"

Plan View



Elevation (View A-A)

Part Description: 48" Storm Base 6F 28HI





512 N LINCOLN ST. - SUITE 205 BAY CITY, MI 48708  
 TEL 989-894-2785 866-894-2785 FAX 989-894-2805

Structure: ST2  
 Job Number:  
 Job Name: English Storm  
 Job Location:

# Demo Version

Notes:

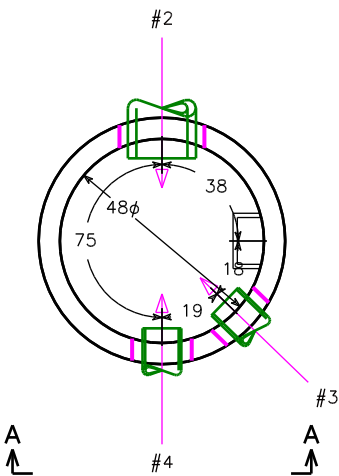
Specification: 48" Storm  
 Contractor:  
 Channel:  
 Based on:

Manufacture Date:	Ship Date:
-------------------	------------

**Opening Schedule**

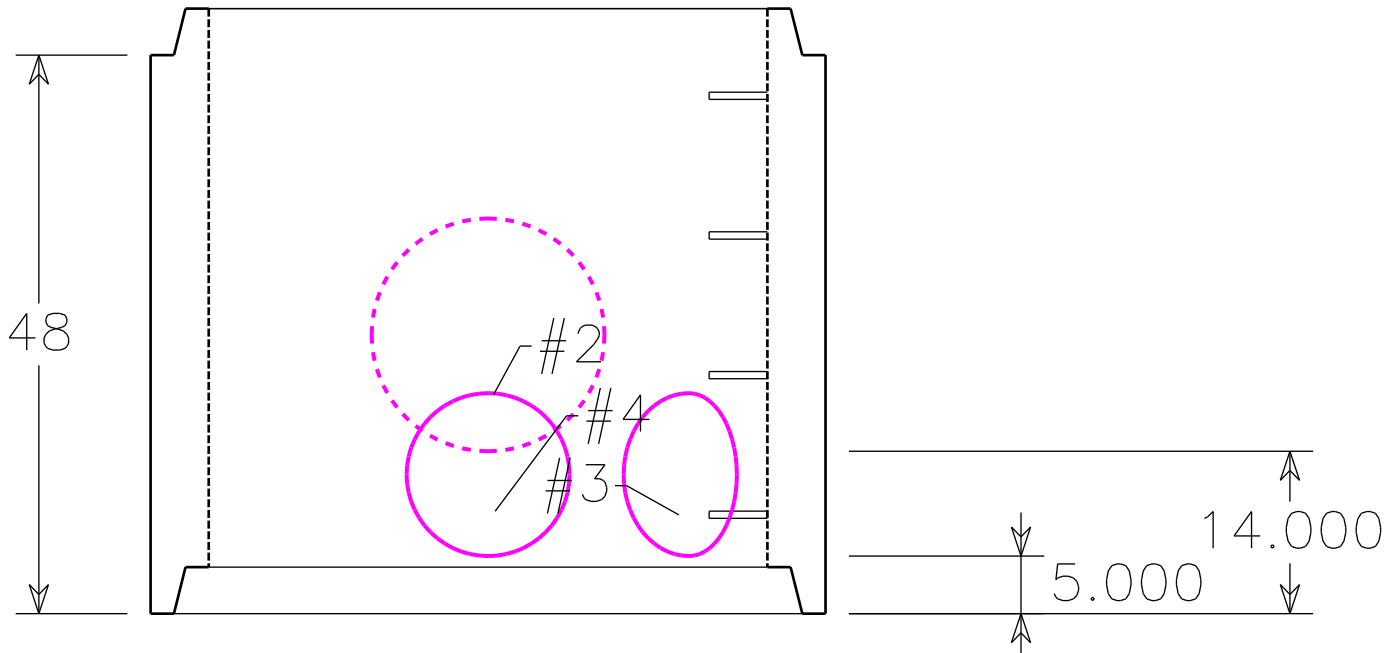
ID	Bottom	Pipe Size	Hole Size	Connector	Angle	Dist.
#2	14.000"	12" RCP B CL-2	20"	Mortar	90°	45.553"
#3	5.000"	8" ADS N-12	14"	Mortar	224°	113.377"
#4	5.000"	8" ADS N-12	14"	Mortar	270°	136.659"

**Plan View**



**Elevation (View A-A)**

**Part Description:** 48" Manhole Section 48H





512 N LINCOLN ST. - SUITE 205 BAY CITY, MI 48708  
 TEL 989-894-2785 866-894-2785 FAX 989-894-2805

Structure: ST2  
 Job Number:  
 Job Name: English Storm  
 Job Location:

Demo  
 Version

Specification: 48" Storm  
 Contractor:  
 Channel:  
 Based on:

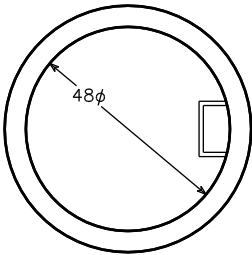
Notes:

Manufacture Date:	Ship Date:
-------------------	------------

Opening Schedule

ID	Bottom	Pipe Size	Hole Size	Connector	Angle	Dist.
----	--------	-----------	-----------	-----------	-------	-------

Plan View



Elevation (View A-A)

Part Description: 48" Manhole Section 32H

