



512 N LINCOLN ST. - SUITE 205 BAY CITY, MI 48708
 TEL 989-894-2785 866-894-2785 FAX 989-894-2805

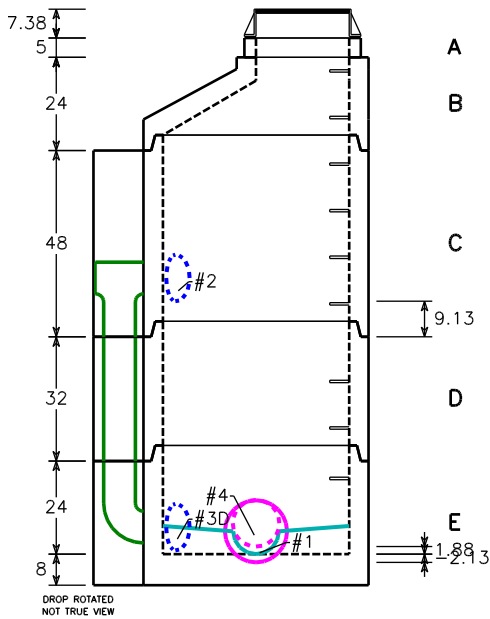
Structure: SN 2
Job Number: 12345
Job Name: English Sanitary - Round
Job Location: Smith St.

Demo
 Version

Specification: 48" Sanitary Standard Base
Contractor: Smith Contracting
Based on: Engineers drawings dated 10-4-06

Design Build Height		Stack Build Height		Manufacture Date:
Top of Casting	+ 974.40'	Ring	+ 0.58'	
Outlet Invert	- 962.70'	Adjustment	+ 0.45'	Ship Date:
Design Height	= 11.70'	Eccentric Cone	+ 2.00'	Frame/Ring: R-1642
		Risers	+ 6.67'	Grate/Cover: R-1642
		Base Gain	+ 2.00'	Channel: 3-Way Half Height Channel
		Design Height	= 11.70'	Notes:
		Floor Thickness	+ 0.67'	
		Outside Height	= 12.37'	

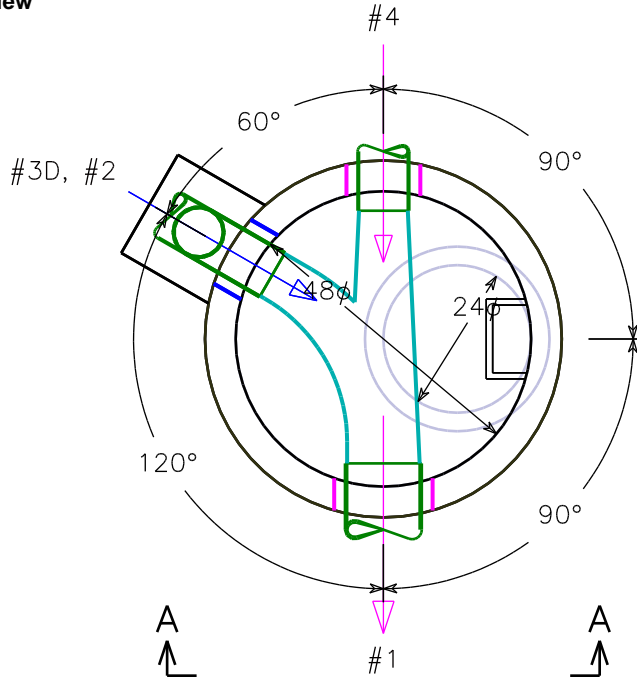
Elevation (View A-A)



Opening Schedule

ID	Bottom	Pipe Size	Hole Size	Connector	Angle	Dist.
#1	-2.13"	12" PVC Sdr 35	16"	C16-2-12 IPS Boot	0°	0.00"
#2	9.13"	8" PVC Sdr 35 CL	12"	S106-12T NPC Boot	120°	60.74"
#3D	0.88"	8" PVC Sdr 35 CL	12"	S106-12T NPC Boot	120°	60.74"
#4	1.88"	8" PVC Sdr 35 CL	12"	S106-12T NPC Boot	180°	91.11"

Plan View



BOM For Stack

Section ID	Description	Qty.	Weight
A	24" Donut 5H	1	195
B	48" Manhole Cone 24" Ecc 24H	1	1,320
C	48" Manhole Section 48H	1	3,375
D	48" Manhole Section 32H	1	2,283
E	48" Sanitary Base 8F 24HI	1	4,384
Totals (pieces, lbs)		5	11,557