



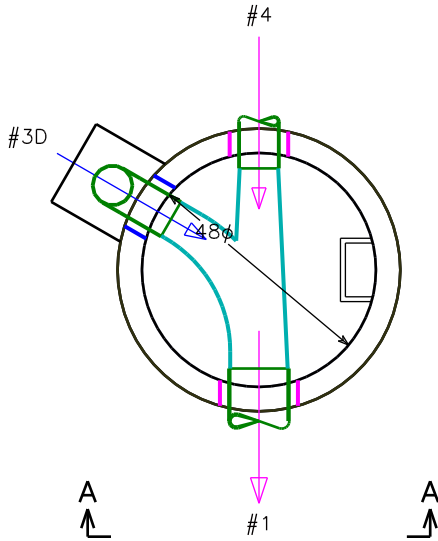
512 N LINCOLN ST. - SUITE 205 BAY CITY, MI 48708
 TEL 989-894-2785 866-894-2785 FAX 989-894-2805

Structure: SN 2
Job Number: 12345
Job Name: English Sanitary - Round
Contractor: Smith Contracting
Channel: 3-Way Half Height Channel
Coating:

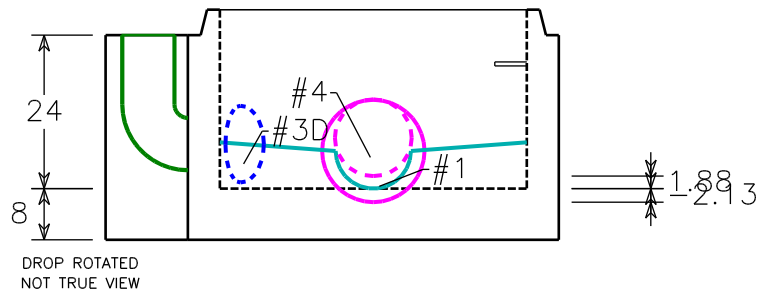
Manufacture Date:		Ship Date:	
Ship with:			
ID	Description	Qty.	Holes Weight
R-1642		1	0
24" Donut 5H		1	195
48" Manhole Cone 24" Ecc 24H		1	1,320
48" Manhole Section 48H		1	3,375
48" Manhole Section 32H		1	2,283
48" Sanitary Base 8F 24HI		1	4,384
Joint Seal 24" Butyl Rubber		1	0
Joint Seal 48" Butyl Rubber		3	0
Totals (pieces, holes, lbs)		10	0 11,557

Opening Schedule				
ID	Bottom	Pipe Size	Hole Size	Connector
#1	-2.13"	12" PVC Sdr 35	16"	C16-2-12 IPS Boot
#3D	0.88"	8" PVC Sdr 35 CL-2	12"	S106-12T NPC Boot
#4	1.88"	8" PVC Sdr 35 CL-2	12"	S106-12T NPC Boot

PlanView

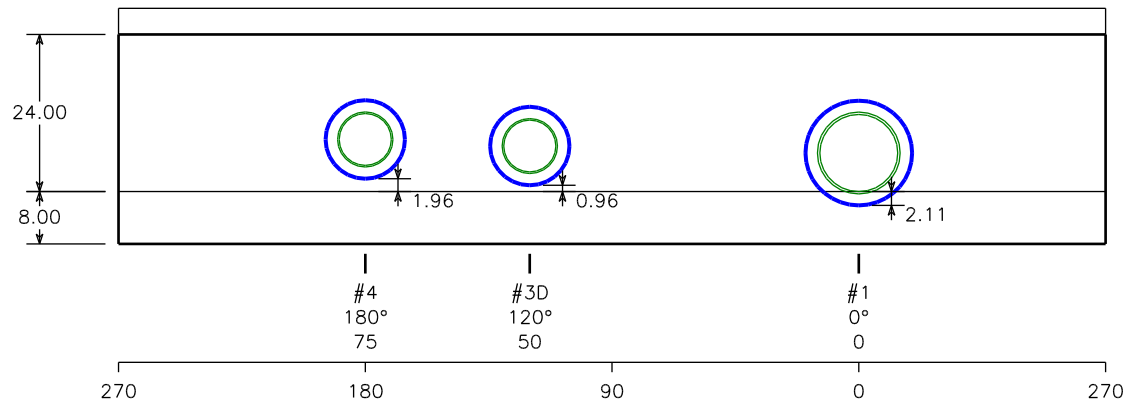


Elevation (View A-A)



Notes:

Rollout Development



Part Description: 48" Sanitary Base 8F 24HI



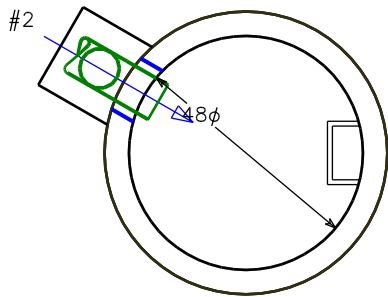
512 N LINCOLN ST. - SUITE 205 BAY CITY, MI 48708
 TEL 989-894-2785 866-894-2785 FAX 989-894-2805

Structure: SN 2
Job Number: 12345
Job Name: English Sanitary - Round
Contractor: Smith Contracting
Channel:
Coating:

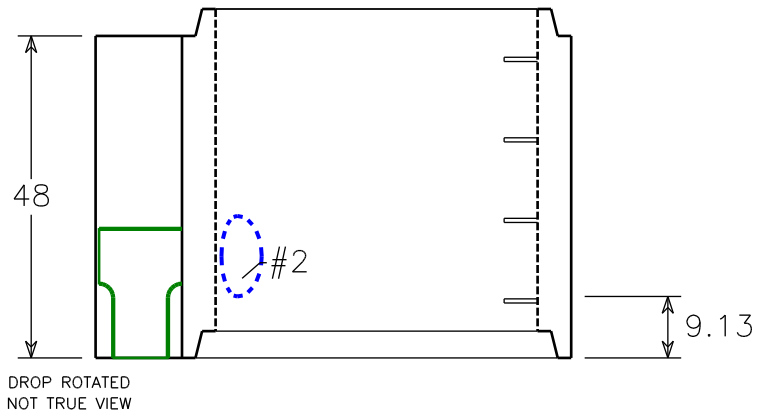
Manufacture Date:		Ship Date:	
Ship with:			
ID	Description	Qty.	Holes Weight
R-1642		1	0
	24" Donut 5H	1	195
	48" Manhole Cone 24" Ecc 24H	1	1,320
	48" Manhole Section 48H	1	3,375
	48" Manhole Section 32H	1	2,283
	48" Sanitary Base 8F 24HI	1	4,384
	Joint Seal 24" Butyl Rubber	1	0
	Joint Seal 48" Butyl Rubber	3	0
Totals (pieces, holes, lbs)		10	0 11,557

Opening Schedule				
ID	Bottom	Pipe Size	Hole Size	Connector
#2	9.13"	8" PVC Sdr 35 CL-2	12"	S106-12T NPC Boot

PlanView

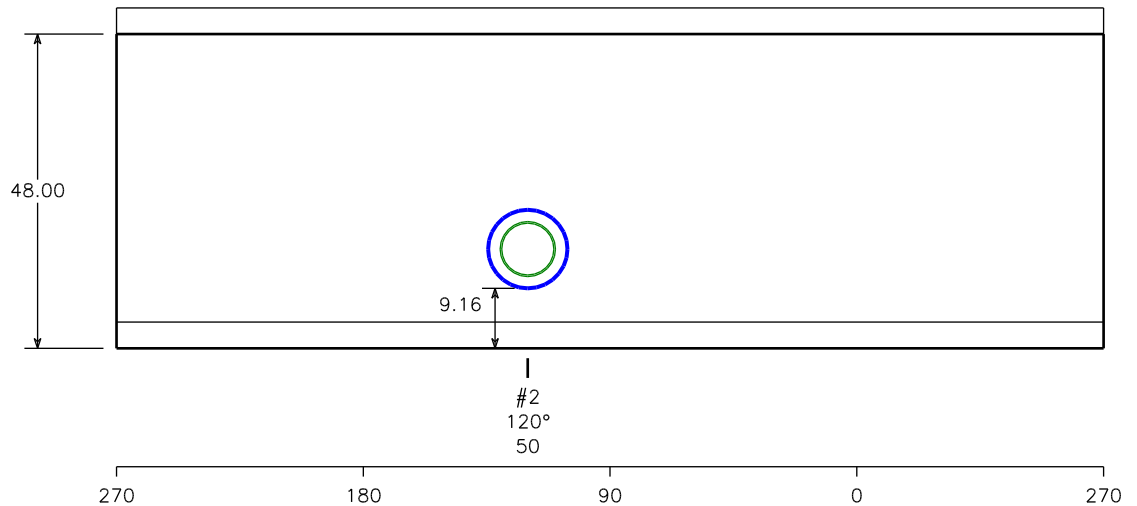


Elevation (View A-A)



Notes:

Rollout Development



Part Description: 48" Manhole Section 48H