



512 N LINCOLN ST. - SUITE 205 BAY CITY, MI 48708  
 TEL 989-894-2785 866-894-2785 FAX 989-894-2805

Structure: SN1  
 Job Number:  
 Job Name: English Sanitary  
 Job Location:

Demo  
 Version

Notes:

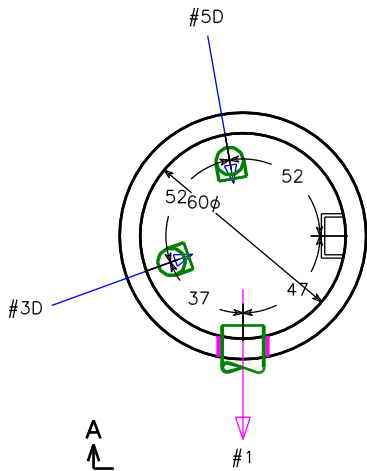
Specification: 60" Sanitary  
 Contractor:  
 Channel: 3-Way Half Height Channel By Contractor  
 Based on:

Manufacture Date:	Ship Date:
-------------------	------------

Opening Schedule

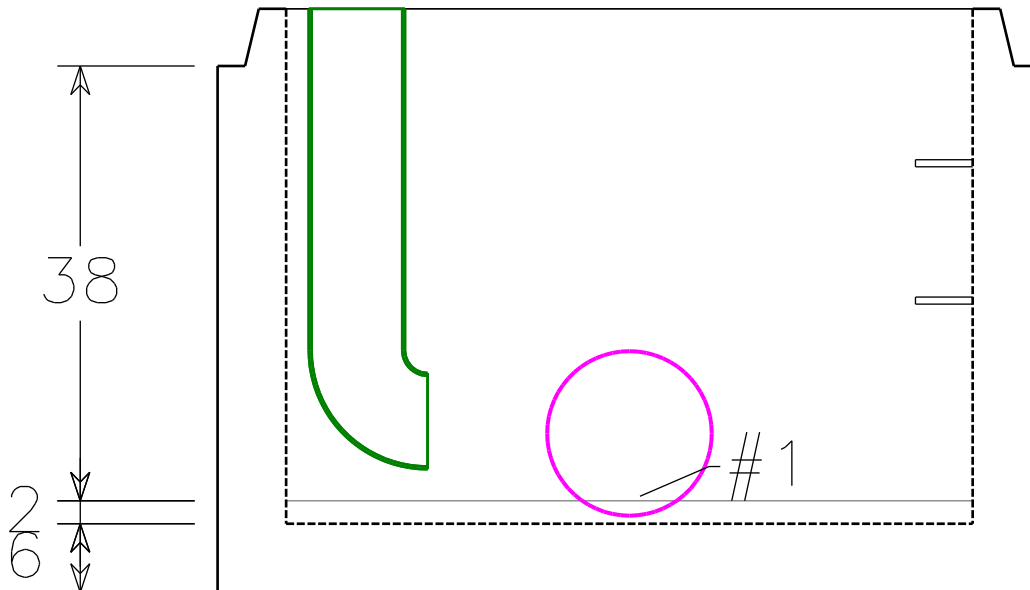
ID	Bottom	Pipe Size	Hole Size	Connector	Angle	Dist.
#1	0.750"	12" PVC Sdr 35	14.382"	A-Lok400	0°	0.000"
#3D	3.000"	8" PVC Sdr 35 CL	12"		70°	43.982"
#5D	3.000"	8" PVC Sdr 35 CL	12"		170°	106.814"

Plan View



Elevation (View A-A)

Part Description: 60" Storm Base 6F 40HI



DROP ROTATED  
 NOT TRUE VIEW



512 N LINCOLN ST. - SUITE 205 BAY CITY, MI 48708  
 TEL 989-894-2785 866-894-2785 FAX 989-894-2805

Structure: SN1  
 Job Number:  
 Job Name: English Sanitary  
 Job Location:

# Demo Version

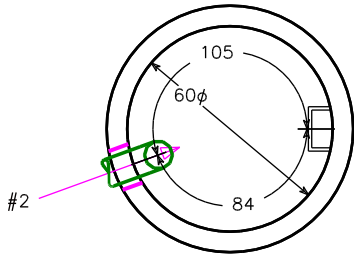
Notes:

Specification: 60" Sanitary  
 Contractor:  
 Channel:  
 Based on:

Manufacture Date:	Ship Date:
-------------------	------------

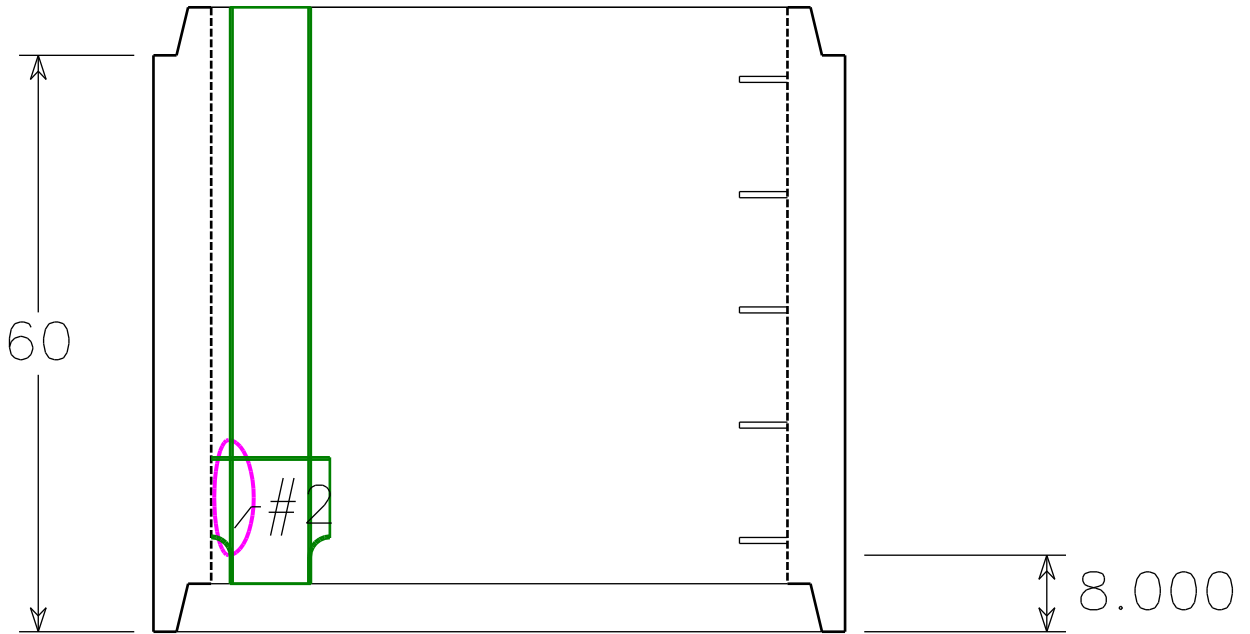
Opening Schedule						
ID	Bottom	Pipe Size	Hole Size	Connector	Angle	Dist.
#2	8.000"	8" PVC Sdr 35 CL	12"	S106-12T NPC Boot	70°	43.982"

Plan View



Elevation (View A-A)

Part Description: 60" Manhole Section 60H



DROP ROTATED  
NOT TRUE VIEW



512 N LINCOLN ST. - SUITE 205 BAY CITY, MI 48708  
 TEL 989-894-2785 866-894-2785 FAX 989-894-2805

Structure: SN1  
 Job Number:  
 Job Name: English Sanitary  
 Job Location:

# Demo Version

Specification: 60" Sanitary  
 Contractor:  
 Channel:  
 Based on:

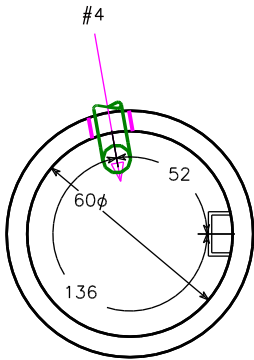
Notes:

Manufacture Date:	Ship Date:
-------------------	------------

Opening Schedule

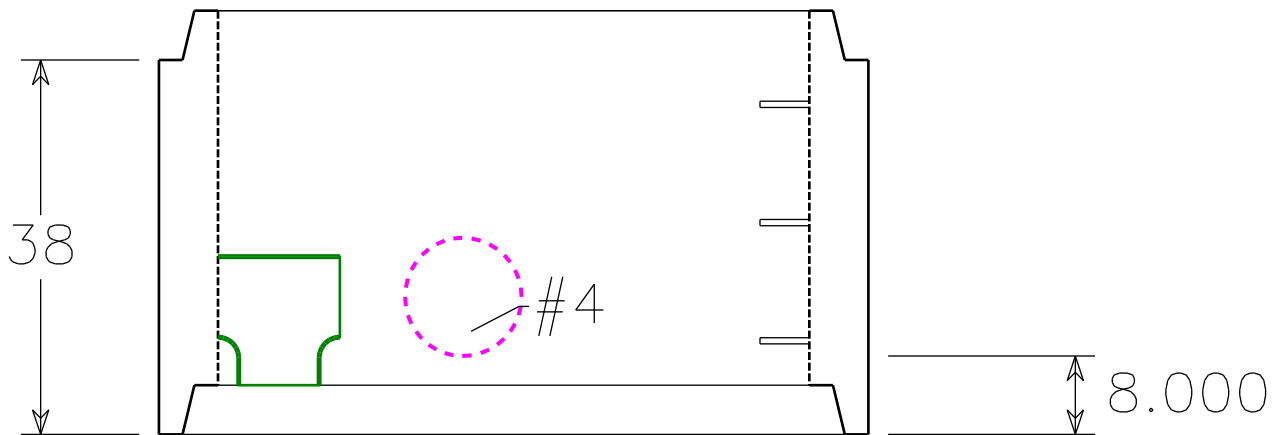
ID	Bottom	Pipe Size	Hole Size	Connector	Angle	Dist.
#4	8.000"	8" PVC Sdr 35 CL	12"	S106-12T NPC Boot	170°	106.814"

Plan View



Elevation (View A-A)

Part Description: 60" Manhole Section 38H



DROP ROTATED  
 NOT TRUE VIEW