



Job Date: Jun 14, 2006

512 N LINCOLN ST. - SUITE 205 BAY CITY, MI 48708
 TEL 989-894-2785 866-894-2785 FAX 989-894-2805

Structure ID: SN 2
 Contractor: Smith Contracting
 Job Name: English Sanitary - Round

Demo Version

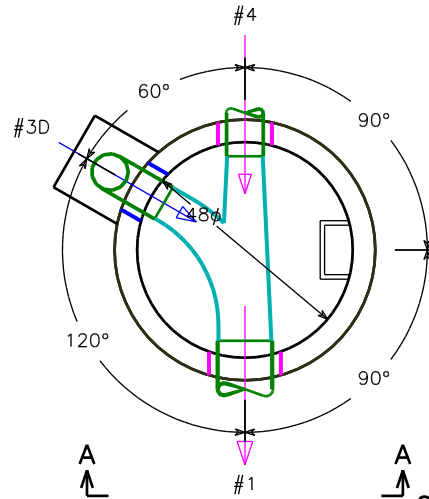
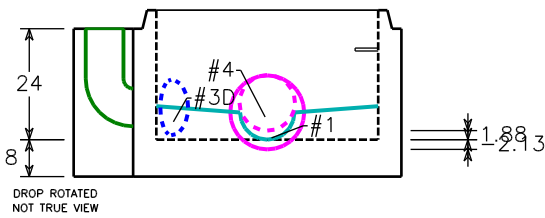
Part Number:

Precast Desc. : 48" Sanitary Base 8F 24HI

3-Way Half Height Channel

Remarks:

ID	Angle	Invert	Bottom	Hole Size	Pipe Size	Connector
#1	0°	962.70'	-2 1/8"	16"	12" PVC Sdr 35	C16-2-12 IPS Boot
#3D	120°	962.95'	1"	12"	8" PVC Sdr 35 C	S106-12T NPC Boot
#4	180°	963.03'	2"	12"	8" PVC Sdr 35 C	S106-12T NPC Boot



Sheet No. 1 of 2



Job Date: Jun 14, 2006

512 N LINCOLN ST. - SUITE 205 BAY CITY, MI 48708
 TEL 989-894-2785 866-894-2785 FAX 989-894-2805

Structure ID: SN 2
 Contractor: Smith Contracting
 Job Name: English Sanitary - Round

Demo Version

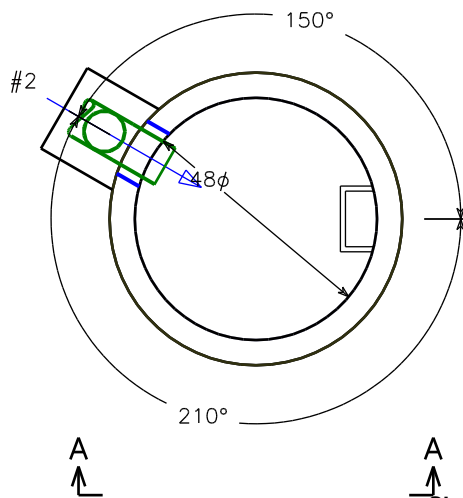
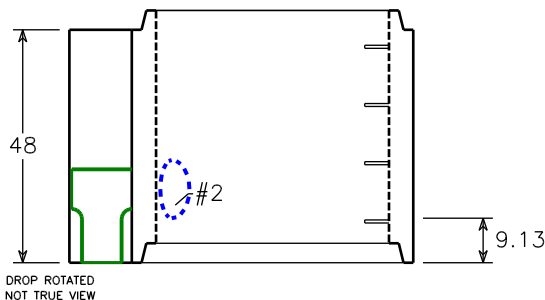
Part Number:

Precast Desc. : 48" Manhole Section 48H

N/A

Remarks:

ID	Angle	Invert	Bottom	Hole Size	Pipe Size	Connector
#2	120°	968.30'	9 1/8"	12"	8" PVC Sdr 35 C	S106-12T NPC Boot



Sheet No. 2 of 2