



512 N LINCOLN ST. - SUITE 205 BAY CITY, MI 48708
 TEL 989-894-2785 866-894-2785 FAX 989-894-2805

Structure: SN 2
Job Number: 12345
Job Name: English Sanitary - Round
Job Location: Smith St.
Specification: 48" Sanitary Standard Base
Contractor: Smith Contracting
Channel: 3-Way Half Height Channel
Based on: Engineers drawings dated 10-4-06

Demo
 Version

Notes:

Ship Date:

Manufacture Date:

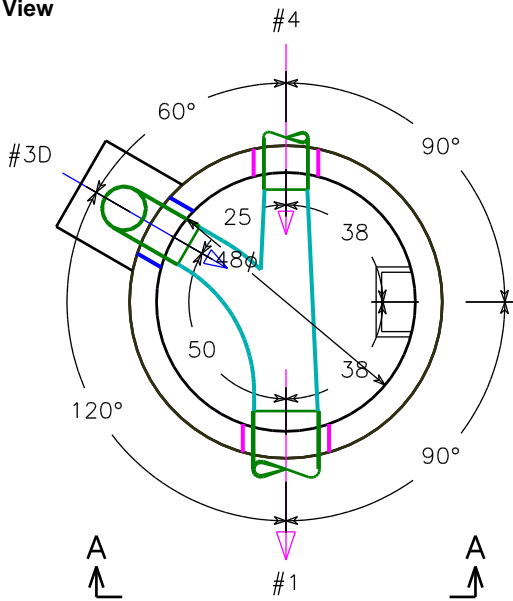
Design Build Height

| | | |
|----------------------|---|---------------|
| Top of Casting | + | 974.40' |
| Outlet Invert | - | 962.70' |
| Design Height | = | 11.70' |

Opening Schedule

| ID | Bottom | Pipe Size | Hole Size | Connector |
|-----|--------|--------------------|-----------|-------------------|
| #1 | -2.13" | 12" PVC Sdr 35 | 16" | C16-2-12 IPS Boot |
| #3D | 0.88" | 8" PVC Sdr 35 CL-2 | 12" | S106-12T NPC Boot |
| #4 | 1.88" | 8" PVC Sdr 35 CL-2 | 12" | S106-12T NPC Boot |

Plan View

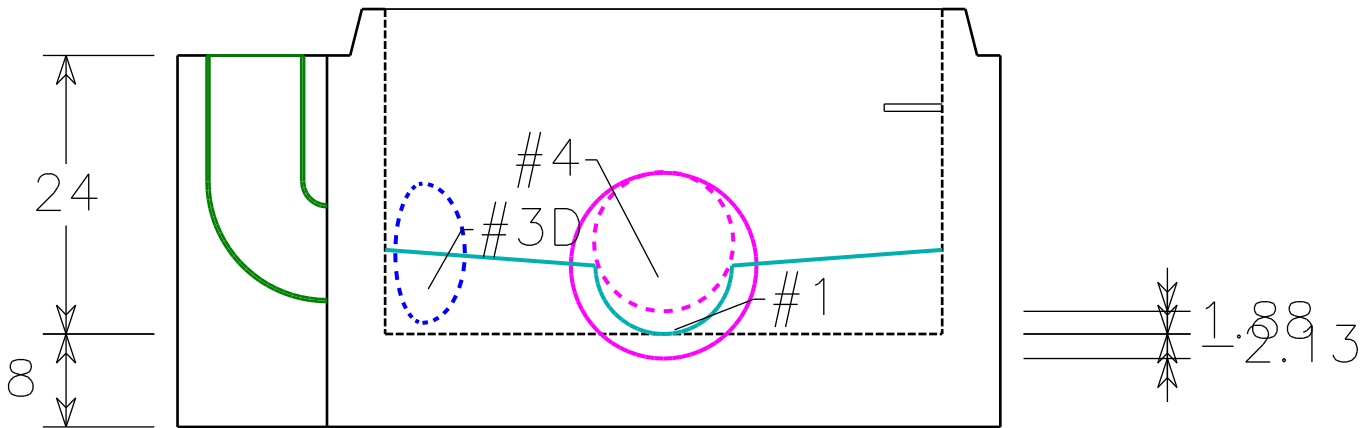


BOM For Stack

| ID | Description | Qty. | Weight |
|-----------------------------|----------------------------------|----------|---------------|
| A | 24" Donut 5H | 1 | 195 |
| B | 48" Manhole Cone 24" Ecc 24H | 1 | 1,320 |
| C | 48" Manhole Section 48H | 1 | 3,375 |
| D | 48" Manhole Section 32H | 1 | 2,283 |
| E | 48" Sanitary Base 8F 24HI | 1 | 4,384 |
| Totals (pieces, lbs) | | 5 | 11,557 |

Elevation (View A-A)

Part Description: 48" Sanitary Base 8F 24HI



DROP ROTATED
 NOT TRUE VIEW



512 N LINCOLN ST. - SUITE 205 BAY CITY, MI 48708
 TEL 989-894-2785 866-894-2785 FAX 989-894-2805

Notes:

Structure: SN 2
Job Number: 12345
Job Name: English Sanitary - Round
Job Location: Smith St.
Specification: 48" Sanitary Standard Base
Contractor: Smith Contracting
Channel:
Based on: Engineers drawings dated 10-4-06

Demo
Version

Ship Date:

Manufacture Date:

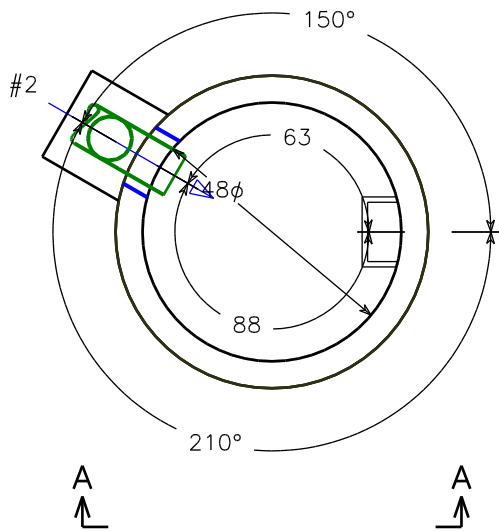
Design Build Height

| | | |
|----------------------|---|---------------|
| Top of Casting | + | 974.40' |
| Outlet Invert | - | 962.70' |
| Design Height | = | 11.70' |

Opening Schedule

| ID | Bottom | Pipe Size | Hole Size | Connector |
|----|--------|--------------------|-----------|-------------------|
| #2 | 9.13" | 8" PVC Sdr 35 CL-2 | 12" | S106-12T NPC Boot |

Plan View

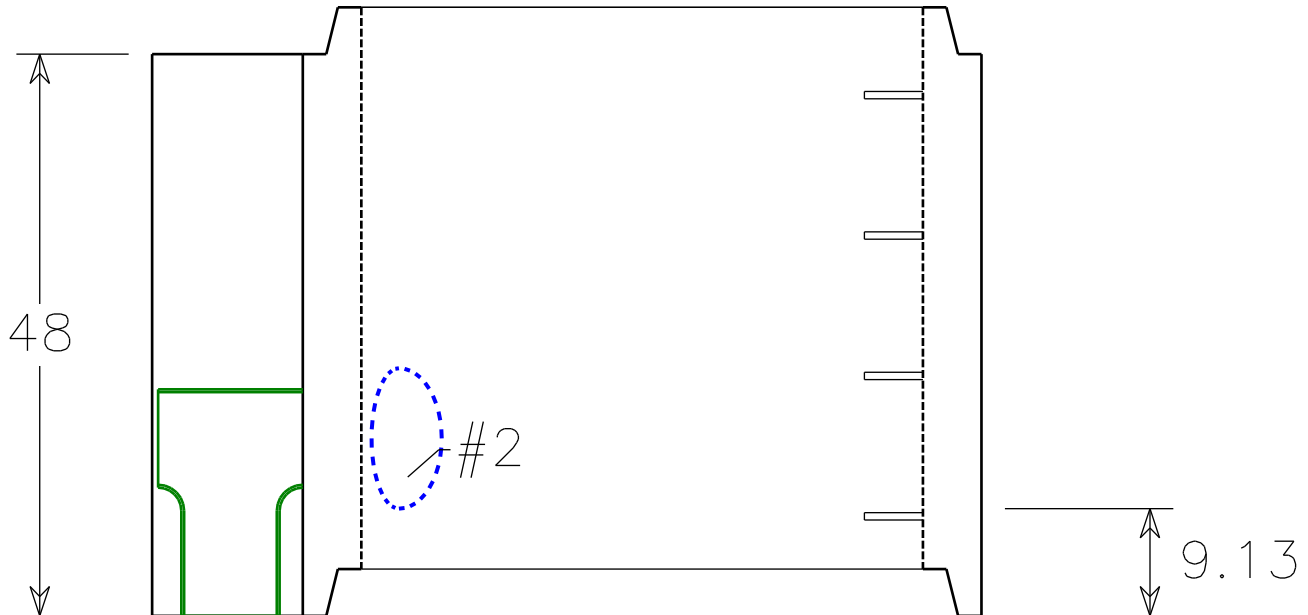


BOM For Stack

| ID | Description | Qty. | Weight |
|-----------------------------|--------------------------------|----------|---------------|
| A | 24" Donut 5H | 1 | 195 |
| B | 48" Manhole Cone 24" Ecc 24H | 1 | 1,320 |
| C | 48" Manhole Section 48H | 1 | 3,375 |
| D | 48" Manhole Section 32H | 1 | 2,283 |
| E | 48" Sanitary Base 8F 24HI | 1 | 4,384 |
| Totals (pieces, lbs) | | 5 | 11,557 |

Elevation (View A-A)

Part Description: 48" Manhole Section 48H



DROP ROTATED
NOT TRUE VIEW