



512 N LINCOLN ST. - SUITE 205 BAY CITY, MI 48708  
 TEL 989-894-2785 866-894-2785 FAX 989-894-2805

**Structure:** SN 2  
**Job Number:** 12345  
**Job Name:** English Sanitary - Round  
**Job Location:** Smith St.  
**Specification:** 48" Sanitary Standard Base  
**Contractor:** Smith Contracting  
**Channel:** 3-Way Half Height Channel  
**Based on:** Engineers drawings dated 10-4-06

Demo  
Version

Notes:

Ship Date:

Manufacture Date:

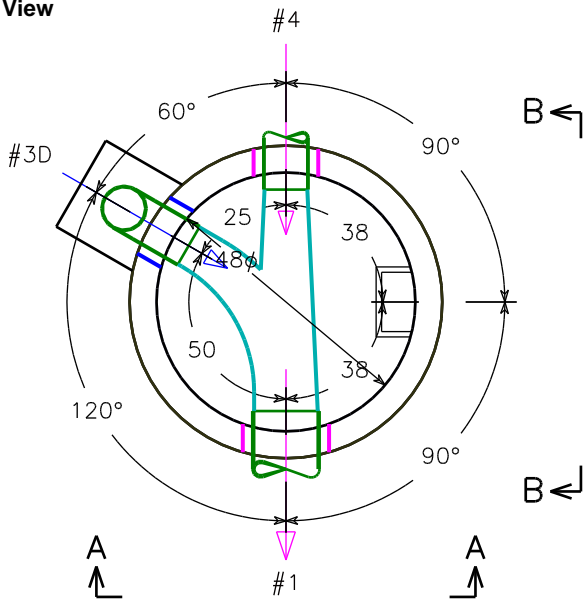
**Design Build Height**

Top of Casting	+	974.40'
Outlet Invert	-	962.70'
<b>Design Height</b>	=	<b>11.70'</b>

**Opening Schedule**

ID	Bottom	Pipe Size	Hole Size	Connector
#1	-2.13"	12" PVC Sdr 35	16"	C16-2-12 IPS Boot
#3D	0.88"	8" PVC Sdr 35 CL-2	12"	S106-12T NPC Boot
#4	1.88"	8" PVC Sdr 35 CL-2	12"	S106-12T NPC Boot

**Plan View**

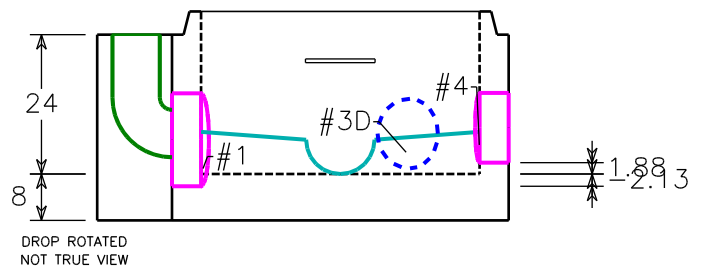
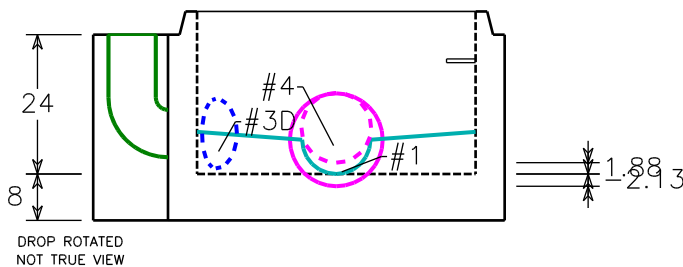


**BOM For Stack**

ID	Description	Qty.	Weight
A	24" Donut 5H	1	195
B	48" Manhole Cone 24" Ecc 24H	1	1,320
C	48" Manhole Section 48H	1	3,375
D	48" Manhole Section 32H	1	2,283
<b>E</b>	<b>48" Sanitary Base 8F 24HI</b>	<b>1</b>	<b>4,384</b>
<b>Totals (pieces, lbs)</b>		<b>5</b>	<b>11,557</b>

**Elevation (View A-A)**

**Elevation (View B-B)**



**Part Description: 48" Sanitary Base 8F 24HI**



512 N LINCOLN ST. - SUITE 205 BAY CITY, MI 48708  
 TEL 989-894-2785 866-894-2785 FAX 989-894-2805

**Structure:** SN 2  
**Job Number:** 12345  
**Job Name:** English Sanitary - Round  
**Job Location:** Smith St.  
**Specification:** 48" Sanitary Standard Base  
**Contractor:** Smith Contracting  
**Channel:**  
**Based on:** Engineers drawings dated 10-4-06

Demo  
Version

Notes:

Ship Date:

Manufacture Date:

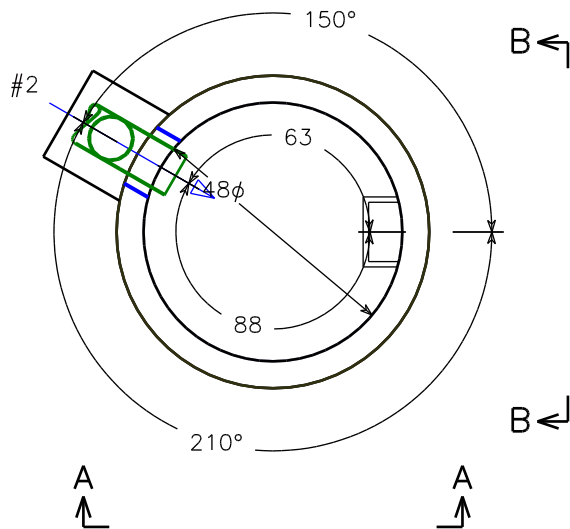
**Design Build Height**

Top of Casting	+	974.40'
Outlet Invert	-	962.70'
<b>Design Height</b>	=	<b>11.70'</b>

**Opening Schedule**

ID	Bottom	Pipe Size	Hole Size	Connector
#2	9.13"	8" PVC Sdr 35 CL-2	12"	S106-12T NPC Boot

Plan View

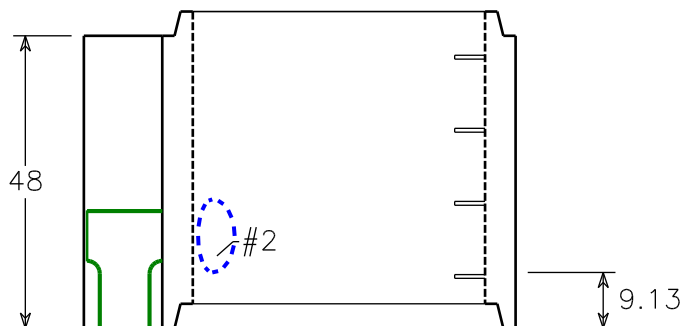


**BOM For Stack**

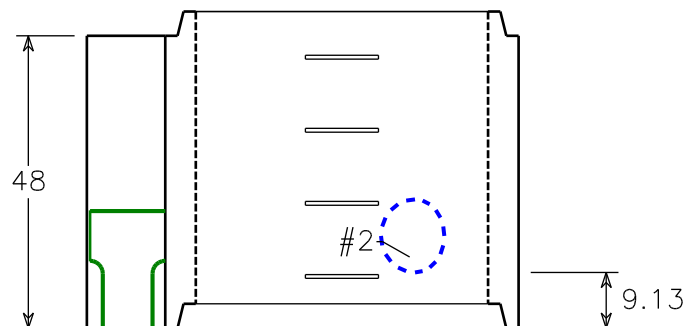
ID	Description	Qty.	Weight
A	24" Donut 5H	1	195
B	48" Manhole Cone 24" Ecc 24H	1	1,320
<b>C</b>	<b>48" Manhole Section 48H</b>	<b>1</b>	<b>3,375</b>
D	48" Manhole Section 32H	1	2,283
E	48" Sanitary Base 8F 24HI	1	4,384
<b>Totals (pieces, lbs)</b>		<b>5</b>	<b>11,557</b>

Elevation (View A-A)

Elevation (View B-B)



DROP ROTATED  
NOT TRUE VIEW



DROP ROTATED  
NOT TRUE VIEW

**Part Description: 48" Manhole Section 48H**