



Structure: SN 5
 Job Number:
 Job Name: Metric Sanitary
 Job Location:

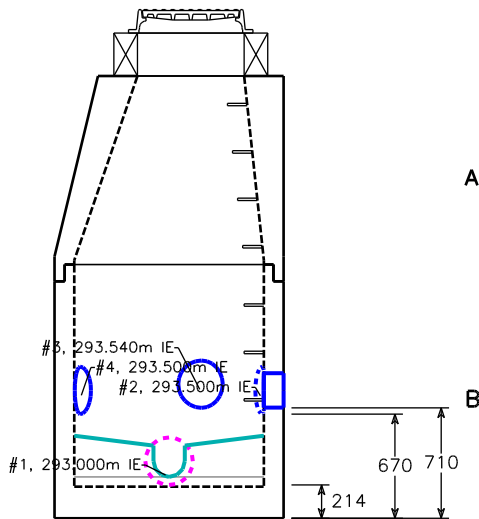
Demo
 Version

512 N LINCOLN ST. - SUITE 205 BAY CITY, MI 48708
 TEL 989-894-2785 866-894-2785 FAX 989-894-2805

Specification: 1200 Monobase, 686 Top, Prebenched
 Contractor:
 Based on:

Design Build Height		Stack Build Height		Manufacture Date:
Top of Casting	+ 296.000m	Frame	+ 0.146m	Ship Date:
Outlet Invert	- 293.000m	Adjustment	+ 0.276m	
Design Height	= 3.000m	Eccentric Cone	+ 1.320m	Frame/Ring: 401.010A F&C Closed
		Base Gain	+ 1.258m	Grate/Cover: 401.010A F&C Closed
		Design Height	= 3.000m	Channel: 4-Way Full Height Channel
		Floor Thickness	+ 0.266m	Notes:
		Outside Height	= 3.266m	

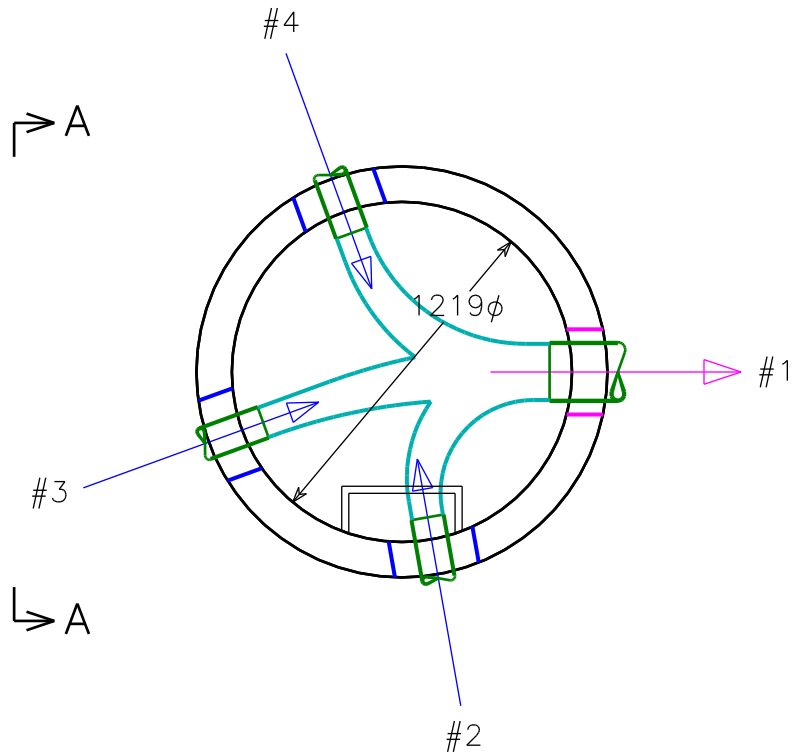
Elevation (View A-A)



Opening Schedule

ID	Bottom	Pipe Size	Hole Size	Connector	Angle	Dist.
#1	214mm	200mm PVC Sdr 3	305mm	S406-12AT NPC Boot	0°	0mm
#2	670mm	100mm PVC C900	305mm	C12-2-4 IPS Boot	80°	,028mm
#3	710mm	100mm PVC C900	305mm	C12-2-4 IPS Boot	160°	,057mm
#4	670mm	100mm PVC C900	305mm	C12-2-4 IPS Boot	250°	,214mm

Plan View



BOM For Stack

Section ID	Description	Qty.	Weight
A	1200 Tapered Top 686 1320H	1	1,930
B	1200 Monolithic Base 203F 1524H	1	3,999
Totals (pieces, kgs)		2	5,929