



512 N LINCOLN ST. - SUITE 205 BAY CITY, MI 48708
 TEL 989-894-2785 866-894-2785 FAX 989-894-2805

Structure: ST 1
 Job Number:
 Job Name: Metric Storm
 Job Location:

Demo
 Version

Notes:

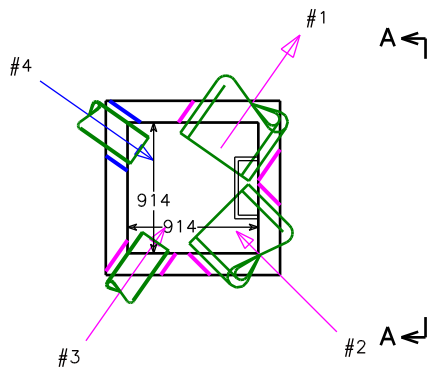
Specification: M-3.3 w/686
 Contractor:
 Channel: 4-Way Full Height Channel By Contractor
 Based on:

Manufacture Date:	Ship Date:
-------------------	------------

Opening Schedule

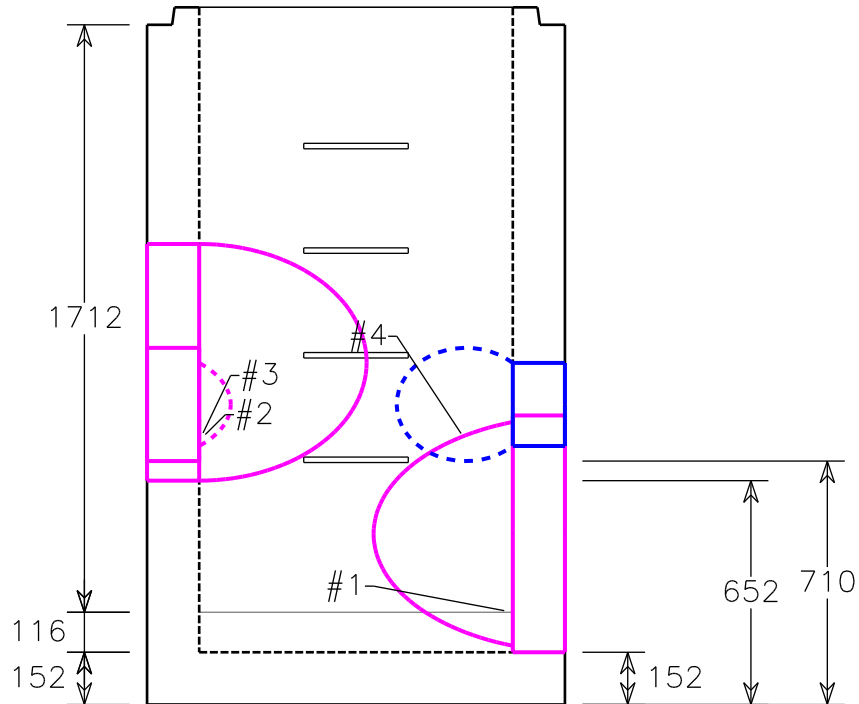
ID	Bottom	Pipe Size	Hole Size	Connector	Angle	Dist.
#1	152mm	450mm RCP B 40	690mm	Mortar	305°	N/A
#2	652mm	450mm RCP B 40	690mm	Mortar	45°	N/A
#3	710mm	200mm PVC C90	330mm	Mortar	125°	N/A
#4	710mm	200mm PVC C90	330mm	Mortar	215°	N/A

Plan View



Elevation (View A-A)

Part Description: M-3.3 Base 152F 1981H





512 N LINCOLN ST. - SUITE 205 BAY CITY, MI 48708
 TEL 989-894-2785 866-894-2785 FAX 989-894-2805

Structure: ST 1
 Job Number:
 Job Name: Metric Storm
 Job Location:

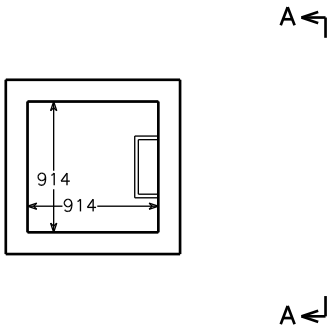
Demo
 Version

Specification: M-3.3 w/686
 Contractor:
 Channel:
 Based on:

Notes:

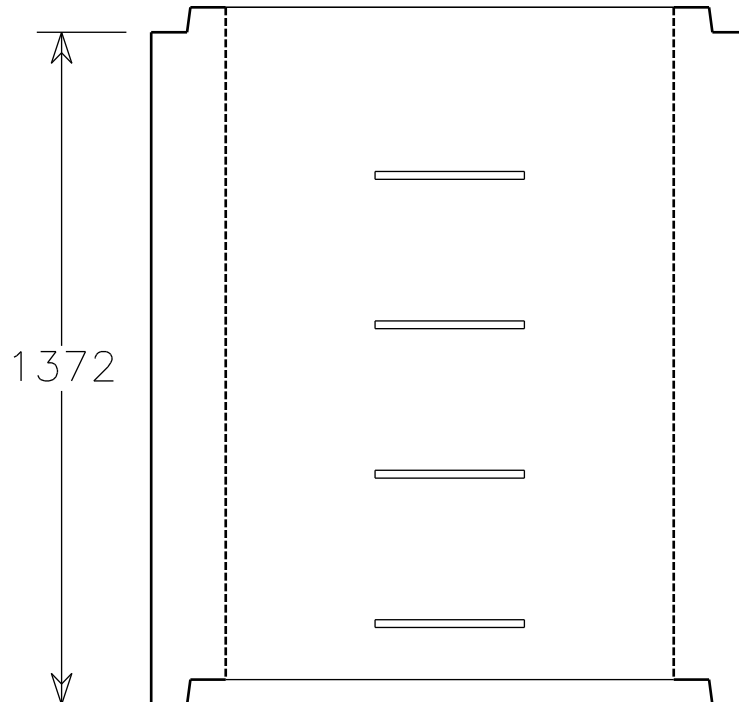
Manufacture Date:				Ship Date:		
Opening Schedule						
ID	Bottom	Pipe Size	Hole Size	Connector	Angle	Dist.

Plan View



Elevation (View A-A)

Part Description: M-3.3 Riser 1372H





512 N LINCOLN ST. - SUITE 205 BAY CITY, MI 48708
TEL 989-894-2785 866-894-2785 FAX 989-894-2805

Structure: ST 1
Job Number:
Job Name: Metric Storm
Job Location:

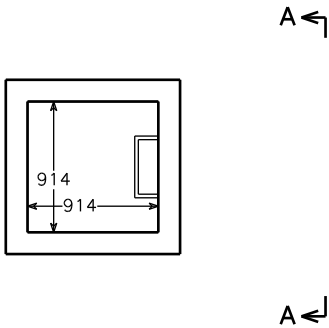
Demo Version

Specification: M-3.3 w/686
Contractor:
Channel:
Based on:

Notes:

Manufacture Date:		Ship Date:				
Opening Schedule						
ID	Bottom	Pipe Size	Hole Size	Connector	Angle	Dist.

Plan View



Elevation (View A-A)

Part Description: M-3.3 Top 686 Ecc 762H

