



512 N LINCOLN ST. - SUITE 205 BAY CITY, MI 48708
 TEL 989-894-2785 866-894-2785 FAX 989-894-2805

Structure: Custom Extension Flange

Job Number: 2222222

Job Name: Sample Job 2

Job Location: 789 Sample Ave

Sample Valley

Specification: 48" Sanitary w/Cone

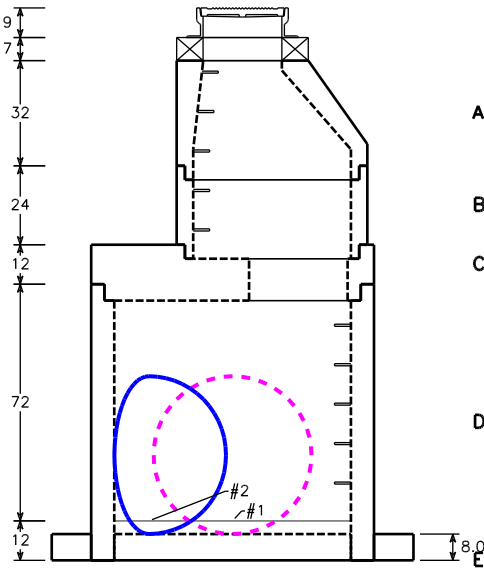
Contractor: Sample Contracting

Based on: Sample Bid Plans Dated 2006-04-14

Demo
Version

Design Build Height			Stack Build Height			Manufacture Date:	
Top of Casting	+	13.00'	Frame	+	0.75'		
Outlet Invert	-	0.00'	Adjustment	+	0.58'	Ship Date:	
Design Height	=	13.00'	Eccentric Cone	+	2.67'	Frame/Ring: MH-1214	
			Risers	+	2.00'	Grate/Cover:	
			Eccentric Slab	+	1.00'	Channel: 2-Way Full Height Channel By Contractor	
			Last Riser Gain	+	6.00'	Notes:	
			Design Height	=	13.00'		
			Contractor Channel	+	0.33'		
			Stock Floor	+	0.67'		
			Outside Height	=	14.00'		

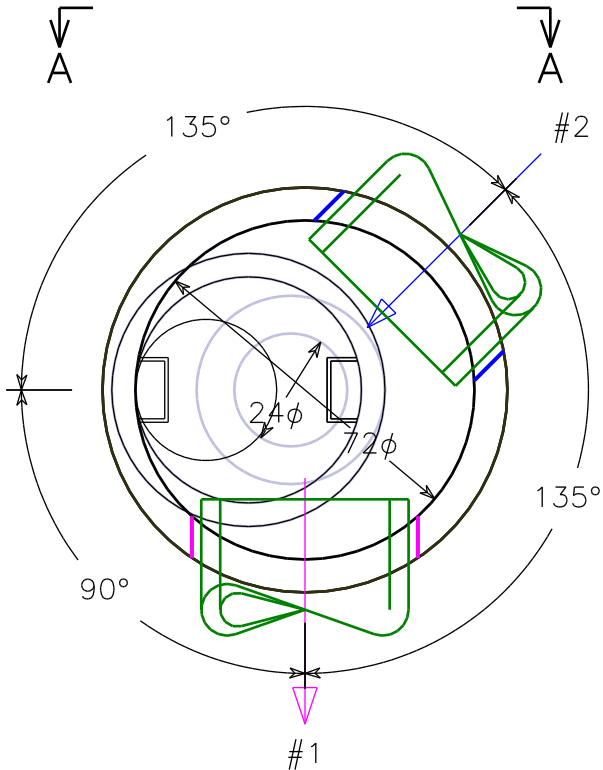
Elevation (View A-A)



Opening Schedule

ID	Bottom	Pipe Size	Hole Size	Connector	Angle	Dist.
#1	8.0"	36" RCP B	48"	Mortar Pipe On Bottom	0°	0.0"
#2	8.0"	36" RCP B	48"	Mortar Pipe On Bottom	225°	168.9"

Plan View



BOM For Stack

Section ID	Description	Qty.	Weight
A	48" Cone 24" Ecc 32H	1	3,037
B	48" Riser 24H	1	1,734
C	72"/48" Red Drip Stone 30" Ecc 8T 12H	1	0
D	72" Riser 84H	1	9,991
Totals (pieces, lbs)		4	14,762