



512 N LINCOLN ST. - SUITE 205 BAY CITY, MI 48708  
 TEL 989-894-2785 866-894-2785 FAX 989-894-2805

Structure: CB1  
 Job Number:  
 Job Name: English Storm  
 Job Location:

# Demo Version

Notes:

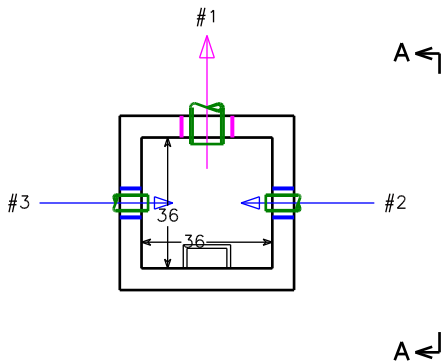
Specification: 3'x3' Storm  
 Contractor:  
 Channel:  
 Based on:

Manufacture Date:	Ship Date:
-------------------	------------

**Opening Schedule**

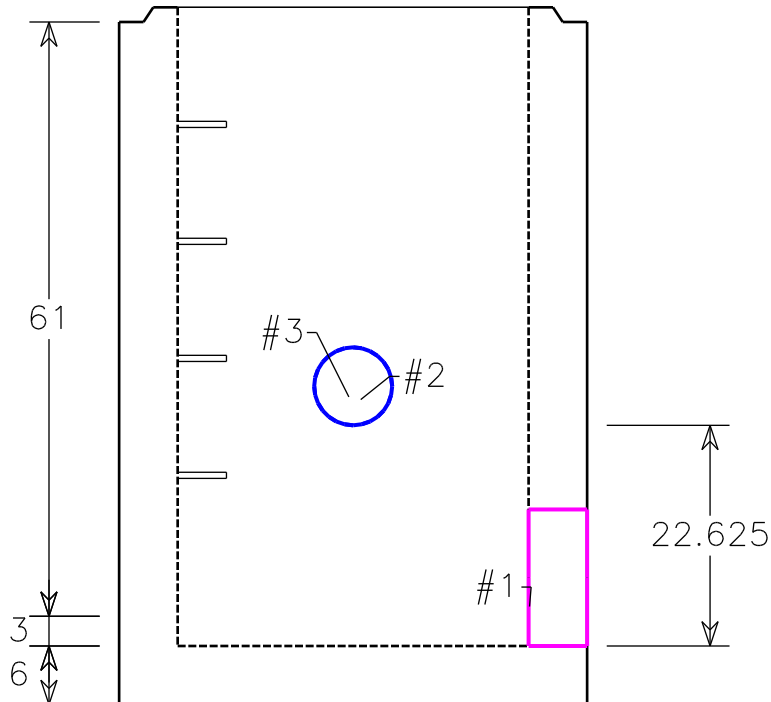
ID	Bottom	Pipe Size	Hole Size	Connector	Angle	Dist.
#1	0.000"	8" ADS N-12	14"	Mortar	270°	N/A
#2	22.625"	4" PVC Sdr 17 CL	8"	Mortar	0°	N/A
#3	22.625"	4" PVC Sdr 17 CL	8"	Mortar	180°	N/A

**Plan View**



**Elevation (View A-A)**

**Part Description:** 3'x3' Storm Base 6F 64HI





512 N LINCOLN ST. - SUITE 205 BAY CITY, MI 48708  
 TEL 989-894-2785 866-894-2785 FAX 989-894-2805

Structure: CB1  
 Job Number:  
 Job Name: English Storm  
 Job Location:

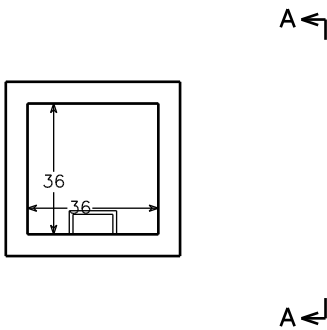
# Demo Version

Specification: 3'x3' Storm  
 Contractor:  
 Channel:  
 Based on:

Notes:

Manufacture Date:		Ship Date:				
Opening Schedule						
ID	Bottom	Pipe Size	Hole Size	Connector	Angle	Dist.

Plan View



Elevation (View A-A)

Part Description: 3'x3' Manhole Section 65H

