



512 N LINCOLN ST. - SUITE 205 BAY CITY, MI 48708  
 TEL 989-894-2785 866-894-2785 FAX 989-894-2805

Notes:

Structure: ST9

Job Number:

Job Name: English Storm - Round and Box

Job Location:

Specification: 6'x6' Storm

Contractor:

Channel:

Based on:

Demo  
Version

Ship Date:

Manufacture Date:

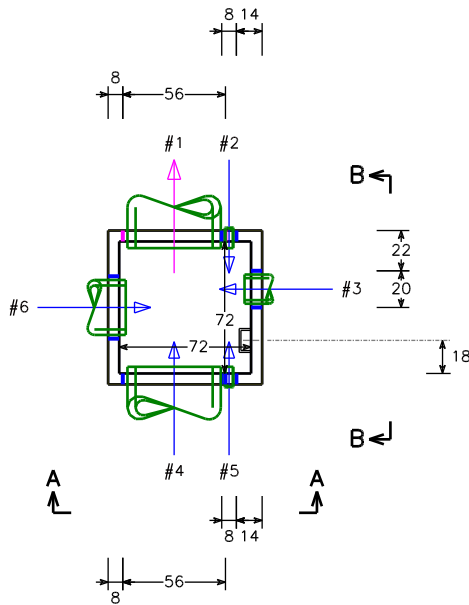
**Design Build Height**

Top of Casting	+	975.00'
Outlet Invert	-	967.20'
<b>Design Height</b>	=	<b>7.80'</b>

**Opening Schedule**

ID	Bottom	Pipe Size	Hole Size	Connector
#1	0.00"	42" RCP B	56"	Mortar
#2	53.00"	4" Hancor	8"	Mortar
#3	33.00"	12" RCP B CL-2	20"	Mortar
#4	0.00"	42" RCP B	56"	Mortar
#5	53.00"	4" Hancor	8"	Mortar
#6	20.00"	24" RCP B CL-2	34"	Mortar

**Plan View**

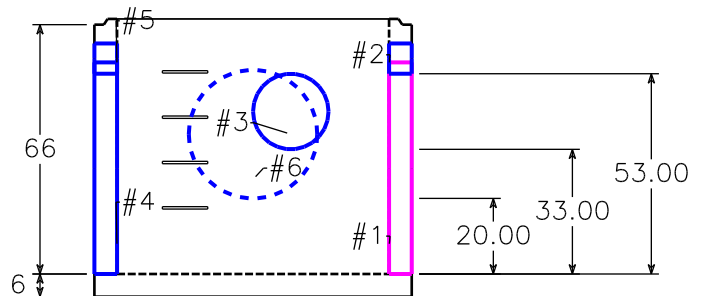
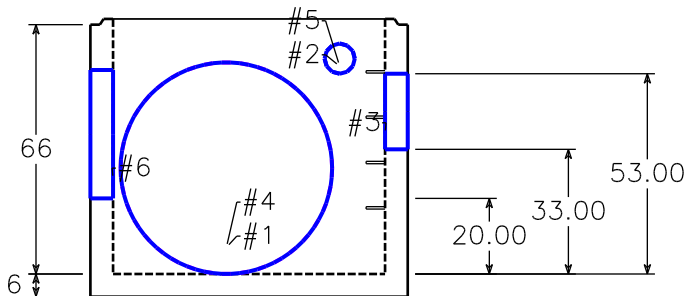


**BOM For Stack**

ID	Description	Qty.	Weight
A	6'x6' Flat lid 24" Ecc 6H	1	3,395
B	6'x6' Manhole Section 19H	1	2,932
<b>C</b>	<b>6'x6' Storm Base 6F 66HI</b>	<b>1</b>	<b>11,451</b>
<b>Totals (pieces, lbs)</b>		<b>3</b>	<b>17,778</b>

**Elevation (View A-A)**

**Elevation (View B-B)**



Part Description: **6'x6' Storm Base 6F 66HI**



512 N LINCOLN ST. - SUITE 205 BAY CITY, MI 48708  
 TEL 989-894-2785 866-894-2785 FAX 989-894-2805

Notes:

Structure: **ST9**  
 Job Number:  
 Job Name: English Storm - Round and Box  
 Job Location:  
 Specification: 6'x6' Storm  
 Contractor:  
 Channel:  
 Based on:

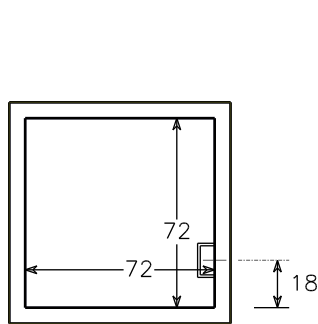
Demo  
Version

Ship Date:		<b>Design Build Height</b>	
Manufacture Date:		Top of Casting	+ 975.00'
		Outlet Invert	- 967.20'
		<b>Design Height</b>	<b>= 7.80'</b>

Opening Schedule

ID	Bottom	Pipe Size	Hole Size	Connector
----	--------	-----------	-----------	-----------

Plan View



B ↙

B ↙

A ↑

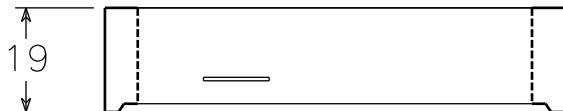
A ↑

BOM For Stack

ID	Description	Qty.	Weight
A	6'x6' Flat lid 24" Ecc 6H	1	3,395
<b>B</b>	<b>6'x6' Manhole Section 19H</b>	<b>1</b>	<b>2,932</b>
C	6'x6' Storm Base 6F 66HI	1	11,451
<b>Totals (pieces, lbs)</b>		<b>3</b>	<b>17,778</b>

Elevation (View A-A)

Elevation (View B-B)



Part Description: **6'x6' Manhole Section 19H**



512 N LINCOLN ST. - SUITE 205 BAY CITY, MI 48708  
 TEL 989-894-2785 866-894-2785 FAX 989-894-2805

Notes:

Structure: ST9

Job Number:

Job Name: English Storm - Round and Box

Job Location:

Specification: 6'x6' Storm

Contractor:

Channel:

Based on:

Demo  
Version

Ship Date:

Manufacture Date:

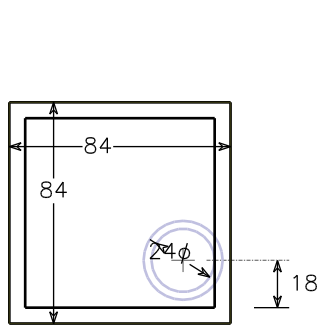
**Design Build Height**

Top of Casting	+	975.00'
Outlet Invert	-	967.20'
<b>Design Height</b>	=	<b>7.80'</b>

**Opening Schedule**

ID	Bottom	Pipe Size	Hole Size	Connector
----	--------	-----------	-----------	-----------

Plan View

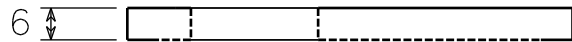


**BOM For Stack**

ID	Description	Qty.	Weight
A	6'x6' Flat lid 24" Ecc 6H	1	3,395
B	6'x6' Manhole Section 19H	1	2,932
C	6'x6' Storm Base 6F 66HI	1	11,451
<b>Totals (pieces, lbs)</b>		<b>3</b>	<b>17,778</b>

Elevation (View A-A)

Elevation (View B-B)



Part Description: **6'x6' Flat lid 24" Ecc 6H**