



512 N LINCOLN ST. - SUITE 205 BAY CITY, MI 48708
 TEL 989-894-2785 866-894-2785 FAX 989-894-2805

Structure: ST9
Job Number: 12345
Job Name: English Storm - Round and Box
Job Location: Smith St.

Notes:

Specification: 6'x6' Storm
Contractor: Smith Contracting
Channel: No Channel
Based on: Engineers drawings dated 10-4-06

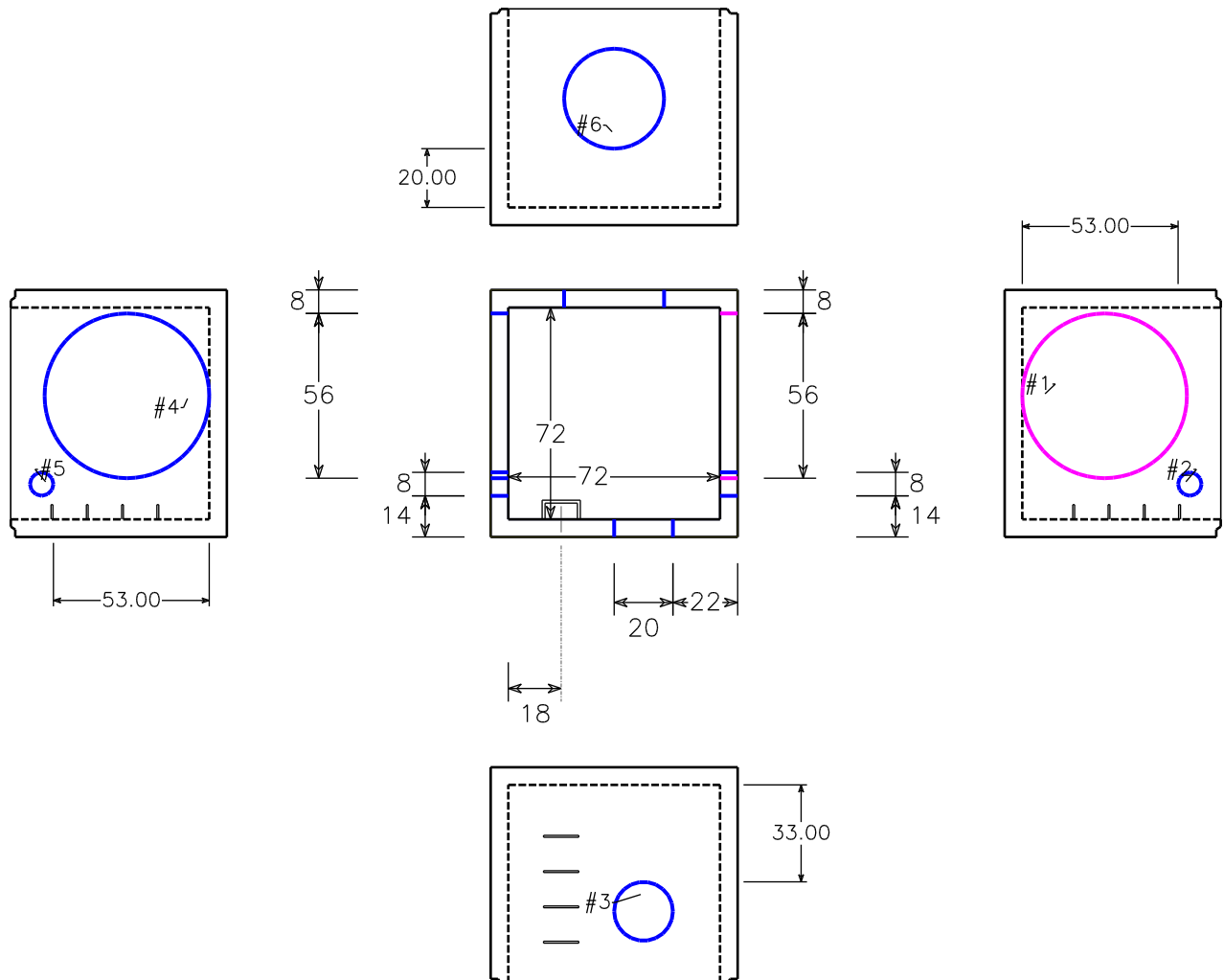
Manufacture Date:	Ship Date:
--------------------------	-------------------

Opening Schedule

ID	Bottom	Pipe Size	Hole Size	Connector	Angle	Dist.
#1	0.00"	42" RCP B	56"	Mortar	0°	N/A
#2	53.00"	4" Hancor	8"	Mortar	0°	N/A
#3	33.00"	12" RCP B CL-2	20"	Mortar	90°	N/A
#4	0.00"	42" RCP B	56"	Mortar	180°	N/A
#5	53.00"	4" Hancor	8"	Mortar	180°	N/A
#6	20.00"	24" RCP B CL-2	34"	Mortar	270°	N/A

Butterfly View

Part Description: 6'x6' Storm Base 6F 66HI





512 N LINCOLN ST. - SUITE 205 BAY CITY, MI 48708
TEL 989-894-2785 866-894-2785 FAX 989-894-2805

Structure: ST9
Job Number: 12345
Job Name: English Storm - Round and Box
Job Location: Smith St.

Notes:

Specification: 6'x6' Storm
Contractor: Smith Contracting
Channel: No Channel
Based on: Engineers drawings dated 10-4-06

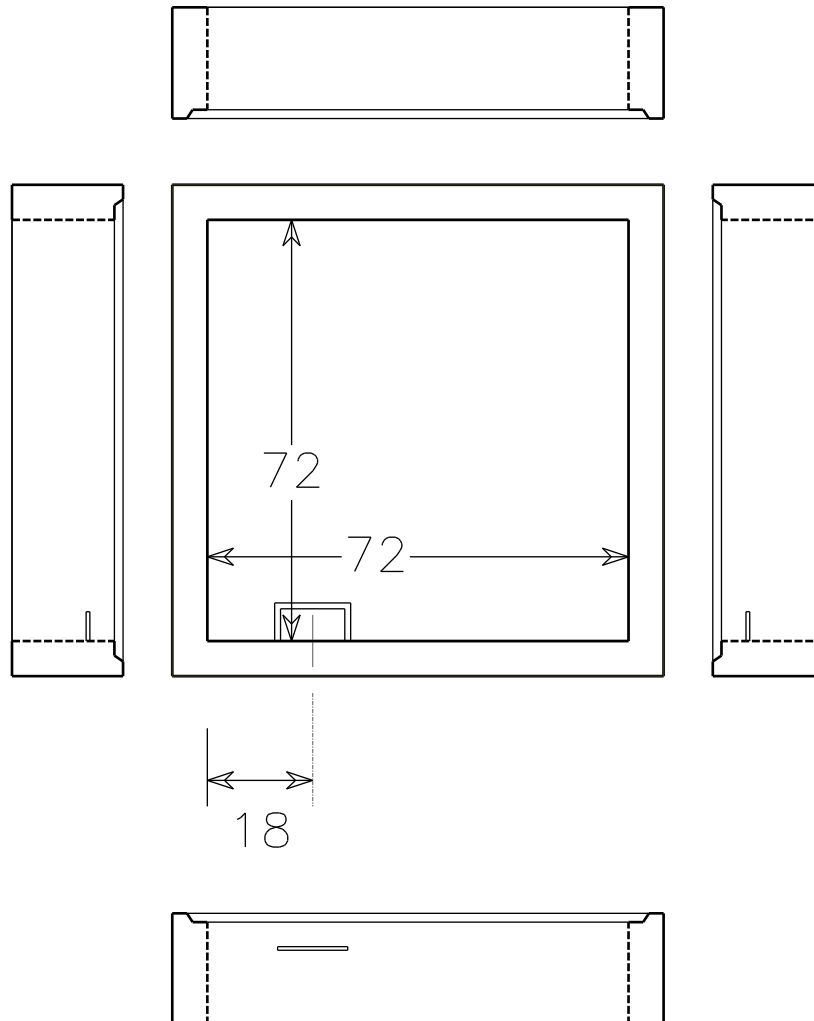
Manufacture Date:	Ship Date:
--------------------------	-------------------

Opening Schedule

ID	Bottom	Pipe Size	Hole Size	Connector	Angle	Dist.
----	--------	-----------	-----------	-----------	-------	-------

Butterfly View

Part Description: 6'x6' Manhole Section 19H





512 N LINCOLN ST. - SUITE 205 BAY CITY, MI 48708
TEL 989-894-2785 866-894-2785 FAX 989-894-2805

Structure: ST9
Job Number: 12345
Job Name: English Storm - Round and Box
Job Location: Smith St.

Notes:

Specification: 6'x6' Storm
Contractor: Smith Contracting
Channel: No Channel
Based on: Engineers drawings dated 10-4-06

Manufacture Date:	Ship Date:
--------------------------	-------------------

Opening Schedule

ID	Bottom	Pipe Size	Hole Size	Connector	Angle	Dist.
----	--------	-----------	-----------	-----------	-------	-------

Butterfly View

Part Description: 6'x6' Flat lid 24" Ecc 6H

