



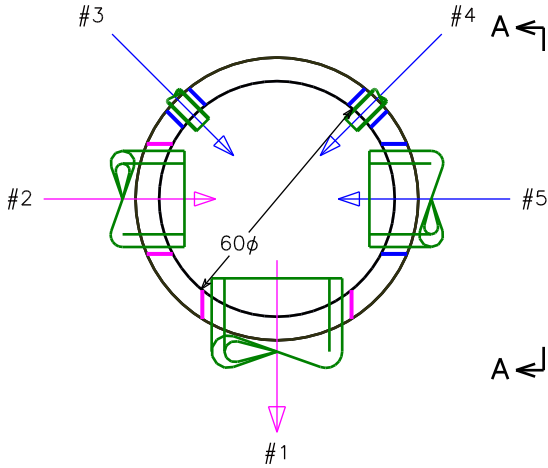
512 N LINCOLN ST. - SUITE 205 BAY CITY, MI 48708  
 TEL 989-894-2785 866-894-2785 FAX 989-894-2805

**Structure:** ST3  
**Job Number:** 12345  
**Job Name:** English Storm - Round  
**Contractor:** Smith Contracting  
**Channel:**  
**Coating:**

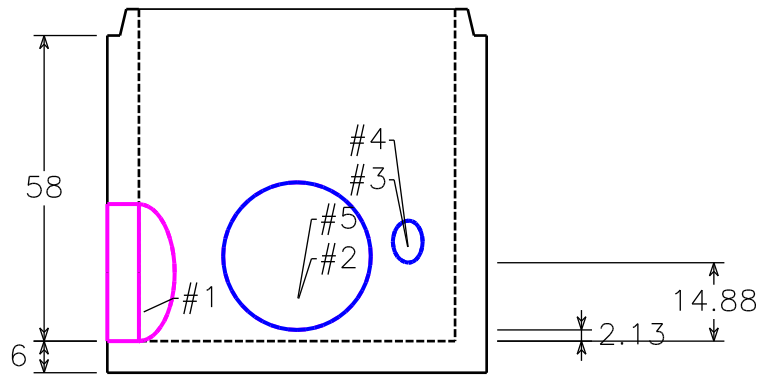
Manufacture Date:		Ship Date:	
<b>Ship with:</b>			
ID	Description	Qty.	Holes Weight
R-1775		1	0
	60" Manhole Cone 24" Ecc 24H	1	2,550
	60" Manhole Section 31H	1	3,304
	<b>60" Storm Base 6F 58HI</b>	<b>1</b>	<b>7,397</b>
	Joint Seal 60" Butyl Rubber	2	0
<b>Totals (pieces, holes, lbs)</b>		<b>6</b>	<b>0 13,251</b>

Opening Schedule				
ID	Bottom	Pipe Size	Hole Size	Connector
#1	0.00"	19"x30" (24") RCP B Elliptic	26"x38"	Mortar
#2	2.13"	18" RCP C CL-2	28"	Mortar
#3	14.88"	4" Hancor	8"	Mortar
#4	14.88"	4" Hancor	8"	Mortar
#5	2.13"	18" RCP C CL-2	28"	Mortar

**PlanView**

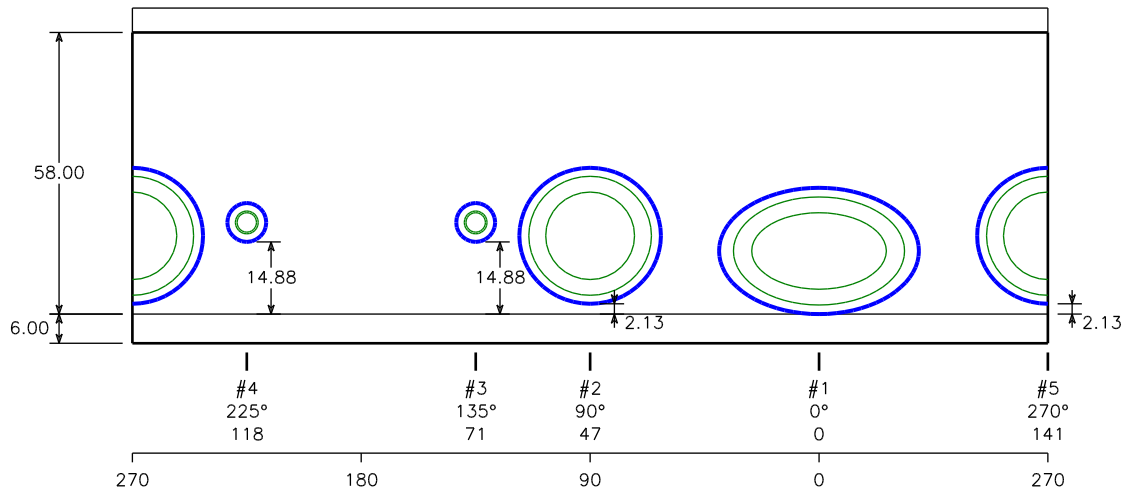


**Elevation (View A-A)**



**Notes:**

**Rollout Development**



**Part Description: 60" Storm Base 6F 58HI**